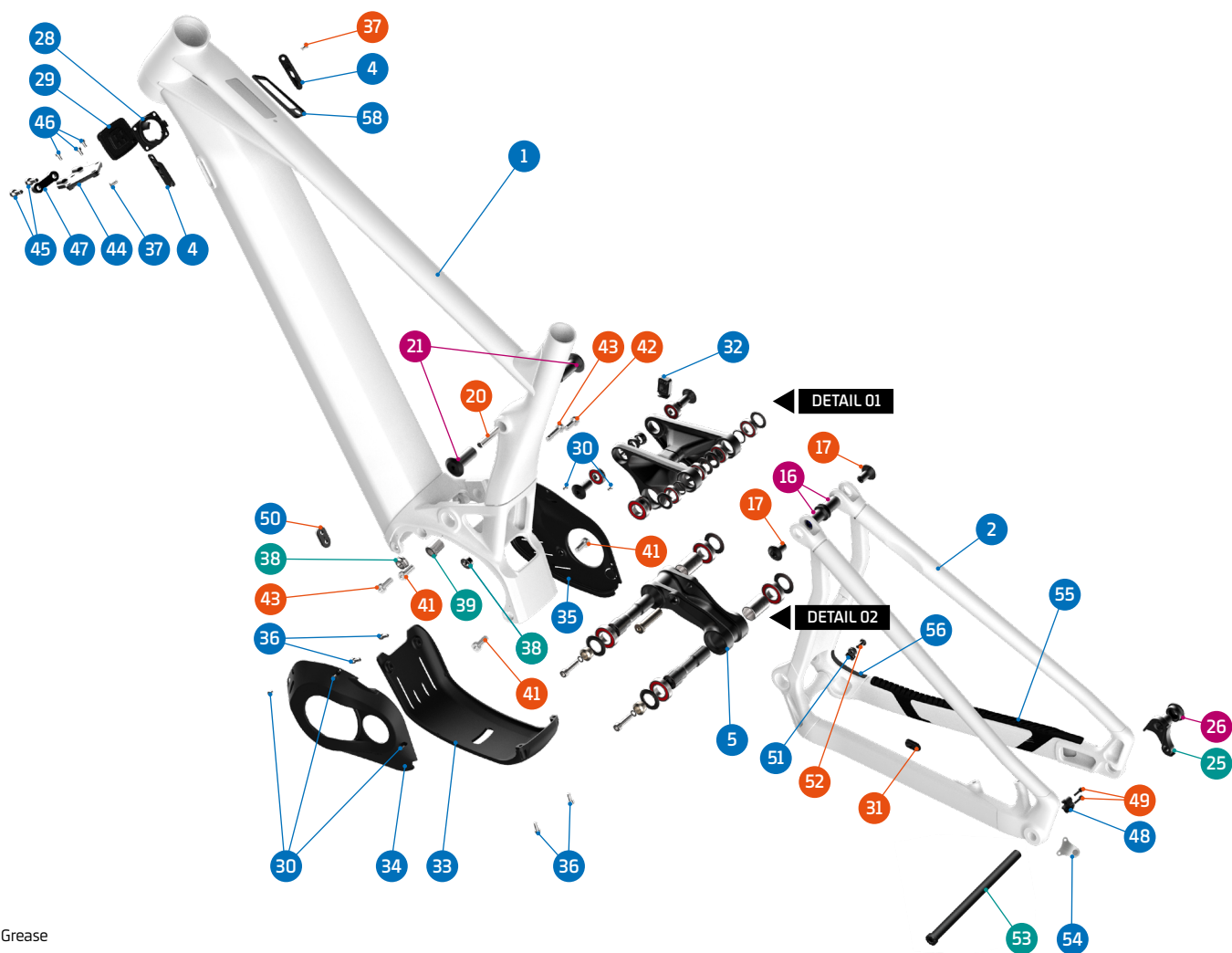


CRAFTY XR / CRAFTY RR / CRAFTY R / CHASER R / CHASER RX

750WH



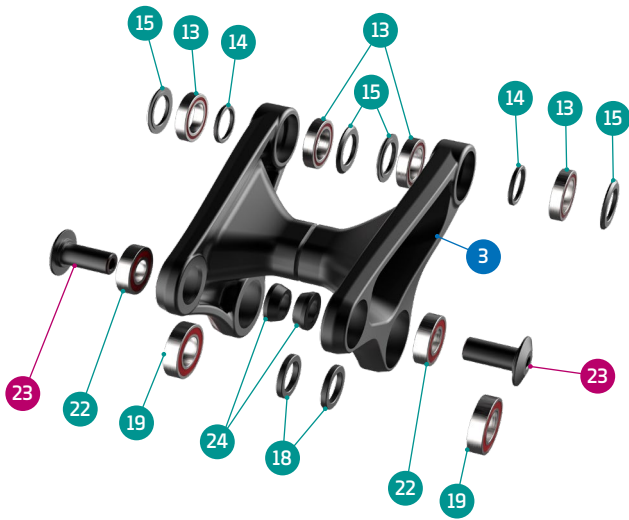
- Grease
- Threadlocker
- Grease + Threadlocker

Apply grease to the shaft, and locker to the threads

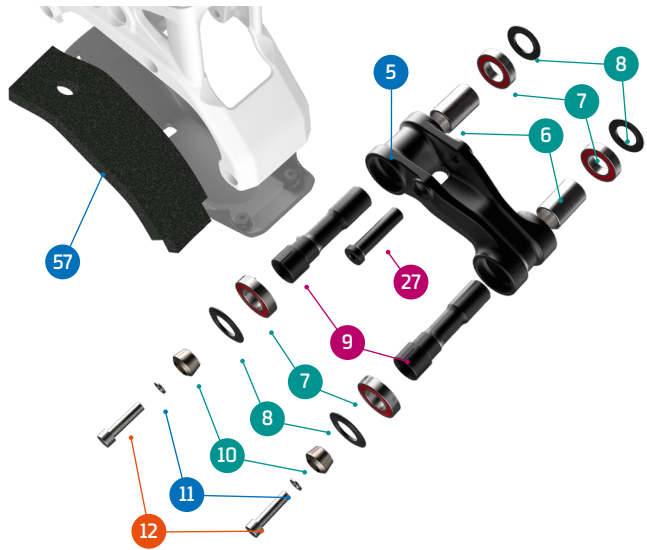
ITEM No.	DESCRIPTION	QTY.	PART NUMBER	TORQUE
1	FRONT TRIANGLE	1		
2	REAR TRIANGLE	1		
3	UPPER LINK	1	099.20039	
4	CABLE GUIDE	2	SET 6	
5	LOWER LINK	1	099.20040	
6	SPACER, 17x22x30L	2	SET 4	
7	BEARING, 30x17x7 (6903V-2RS)	4	SET 1	
8	SPACER, 15x27x2	4	SET 4	
9	MAIN PIVOT AXLE, 17X60	2	SET 4	12Nm
10	TAPER NUT	2	SET 4	
11	SPACER	2	SET 4	
12	SCREW BOLT	2	SET 4	10Nm
13	BEARING, 24X15X5 (6802V-2RS)	4	SET 1	
14	SPACER, 15x19x2t	2	SET 3	
15	SPACER, 15x24x2	4	SET 3	
16	PIVOT AXLE, 26MM	2	SET 3	
17	PIVOT AXLE, M12	2	SET 3	12Nm
18	SPACER, 15x22x3	2	SET 3	
19	BEARING, 28x15x7 (6902V-2RS)	2	SET 1	
20	M8 THREAD AXLE	1	SET 3	
21	LINK AXLE	2	SET 3	11Nm
22	BEARING, 10x22x6 (6900V-2RS)	2	SET 1	
23	SHOCK BOLT	2	SET 2	8Nm
24	SPACER, 10x17x6	2	SET 2	
25	HANGER	1	SET 5	
26	HANGER NUT	1	SET 5 / 099.16011	4Nm
27	SHOCK BOLT	1	SET 2	16Nm
27	SHOCK BOLT - STEEL	1	099.21012	16 Nm
28	HOLDER CHARGER PLUG 2022 750WH	1	099.22056	

ITEM No.	DESCRIPTION	QTY.	PART NUMBER	TORQUE
29	COVER CHARGER PLUG 2022 750WH	1	099.22055	
30	SCREW BOLT	9		3Nm
31	CABLE RUBBER	1	989.13010	
32	CHAIN GUIDE	1	099.20025	
33	MOTOR COVER, LOWER	1	099.22058	
34	MOTOR COVER, LEFT	1	099.20022	
35	MOTOR COVER, RIGHT	1	099.20023	
36	SCREW BOLT	4	099.15032	
37	SCREW BOLT	2	SET 6	3Nm
38	MOTOR SPACER, 6.8	2	SET 7	
39	MOTOR SPACER, 16.8	1	SET 7	
41	SCREW BOLT (T40 18L)	3	SET 8	15Nm
42	SCREW BOLT (T40 35L)	1	SET 8	15Nm
43	SCREW BOLT (T40 25L)	2	SET 8	15Nm
44	UPPER INT BATTERY BRACKET	1	099.22043	
45	SCREW BOLT	2		
46	SCREW BOLT	4		
47	UPPER BATTERY BOLT COVER	1	099.20071	
48	SLIM SENSOR CLAMP	1	099.22042	
49	SCREW BOLT	2		0,8Nm
50	LOW BATTERY BOLT COVER	1	099.22044	
51	CABLE GUIDE	1	099.22064	
52	SCREW BOLT	1		3Nm
53	REAR AXLE MDK 12X148 P1.75 L180	1	112.90022	
54	ROTOR MAGNET SPEED SENSOR BOSCH	1	124.20401	
55	CHAIN PROTECTOR	1	099.20017	
56	YOKE PROTECTOR	1	099.20056	
57	SPONGE MOTOR PROTECTOR	1	099.20086	
58	TOP TUBE RUBBER	1	099.23035	

DETAIL 01

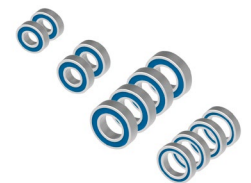


DETAIL 02



SET 1

ZERO BEARING KIT 20



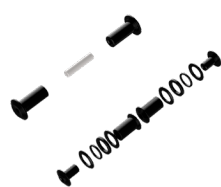
SET 2

SHOCK HARDWARE KIT 13



SET 3

UPPER LINK KIT 26



SET 4

LOWER LINK KIT 24



SET 5

HANGER M068 + NUT



SET 6

CABLE GUIDE KIT 3



PART NUMBER	DESCRIPTION	COMPONENTS
099.20101	SET 1: ZERO BEARING KIT 20	BEARING 6903V-2RS, 30x17x7 (x4) / BEARING 6802V-2RS, 24x15x5 (x 4) / BEARING 6902V-2RS, 28x15x7 (x2) / BEARING 6900V-2RS, 10x22x6 (x2)
099.20201	SET 2: SHOCK HARDWARE KIT 13	SHOCK BOLT (x2) / SPACER, 10x17x6 (x2) / SHOCK BOLT (x1)
099.20301	SET 3: UPPER LINK KIT 26	SPACER, 15x19x2t (x2) / SPACER, 15x24x2 (x4) / M8 THREAD AXLE (x1) / LINK AXLE (x2) / PIVOT AXLE, 26MM (x2) / PIVOT AXLE, M12 (x2) / SPACER, 15x22x3 (x2)
099.20401	SET 4: LOWER LINK KIT 24	TAPER NUT (x2) / SPACER (x2) / SCREW BOLT (x2) / SPACER, 15x27x2 (x4) / MAIN PIVOT AXLE, 17x60 (x2) / SPACER, 17x22x30L (x2)
099.00055	SET 5: HANGER M068 + NUT	HANGER (x1), HANGER NUT (x1)
099.19010	SET 6: CABLE GUIDE KIT 3	CABLE GUIDE (x1) / SCREW BOLT (x1)
099.22045	SET 7: MOTOR SPACERS SET	MOTOR SPACER, 6.8 (x2) / MOTOR SPACER, 16.8 (x1)
099.22054	SET 8: MOTOR BOLTS SET	SCREW BOLT MB-T40-18L (x3) / SCREW BOLT MB-T40-35L (x1) / SCREW BOLT MB-T40-25L (x2)
099.20072	CHAINGUIDE	
099.20025	CHAINGUIDE	