

F-PODIUM CARBON, CARBON/ORANGE/GREY, 2021

obj. č.: 477686507



Odporúčaná cena

4.499 EUR

Technické špecifikácie

vyrábané veľkosti S 390mm / M 420mm / L 470mm / XL 510mm	hmotnosť 10,9 Kg
rám F-Podium 29 Stealth Air Full Carbon, XCO Optimized Zero Suspension System, 100mm, XC Forward Geometry, Carbon Monoblock upper link, BSA bottom bracket, tapered head tube, HHG internal cable routing, dedicated 1X drivetrain design, Boost 12x148mm rear axle, shock mudguard, postmount rear brake mount.	vidlica Rockshox SID SL Select RL 29, 100mm, Charger, Debonair, tapered steerer tube, Boost 15x110mm axle, 32mm aluminum stanchions, offset 44mm. Settings: OneLock 2 position remote compression (open/lock), low-speed rebound, air preload
hlavové zloženie Acros AZX-239 R1 Block Lock, ZS44/28.6 top, ZS56/40 bottom	prehadzovačka Sram GX Eagle, Type 3 roller bearing clutch, cage lock, 1x12s, X-Actuation 1:1
radenie Sram Trigger SX Eagle, 12s, X-Actuation 1:1	brzdové páčky Sram Level T, Direct Link actuation, tooled reach adjust, lever pivot bushings
kľuky Truvativ Stylo 6K Eagle, 12s, Boost, DUB axle, Direct Mount chain ring, S size: 170mm, M/L/XL size: 175mm	stredové zloženie Sram DUB BSA, sealed bearings, 73mm
riadidlá Onoff Sulfur 0.2, double butted 6061 alloy, rise: 4.8mm, width: 760mm, 9 backsweep, 0 upsweep, 31.8mm barbore Onoff Twin, 1lock-on, 135mm	predstavec MDK, 6061 T6 Alloy, 31.8mm barbore, rise: +/-5, length: sizes S/M: 50mm, size L: 60mm, size XL: 70mm
sedlovka Onoff Sulfur 0-R, 6061 T6 Alloy, 3D forged, diameter 31.6mm, length 400mm	sedlo Fizik Antares R7
náboj predný DT 370, Boost 15x110mm, IS 6 bolts	náboj zadný DT 370, Boost 12x148mm, 3 Pawl system, IS 6 bolts, MS freehub
reťaz Sram SX Eagle, 12s, Powerlock	kazeta Sram PG-1230, 11-50T, 12s
drôty DT Champion, straightpull	ráfiky DT Swiss X1900 Spline 29, 25mm internal width, sleeved aluminum, tubeless ready, 28 spokes
plášte Maxxis Rekon Race 29x2.25, EXO protection, tubeless ready, 120TPI, folding bead	obj.c. 010.21037
tlmič Rockshox SID Select+ RLR Debonair, 185x47.5mm. Settings: OneLock 2 position remote compression (open/lock), low-speed rebound, air preload. Trunnion top mount, 22.2x10mm bottom bushings	predná brzda Sram Level T, 2 piece caliper, Centerline 160mm IS 6 bolts one-piece rotor, steel-backed organic pad

zadná brzda

Sram Level T, 2 piece caliper, Centerline 160mm IS 6 bolts one-piece rotor, steel-backed organic pad

plášť zadný

Maxxis Rekon Race 29x2.25, EXO protection, tubeless ready, 120TPI, folding bead

nastavenia tlmiče

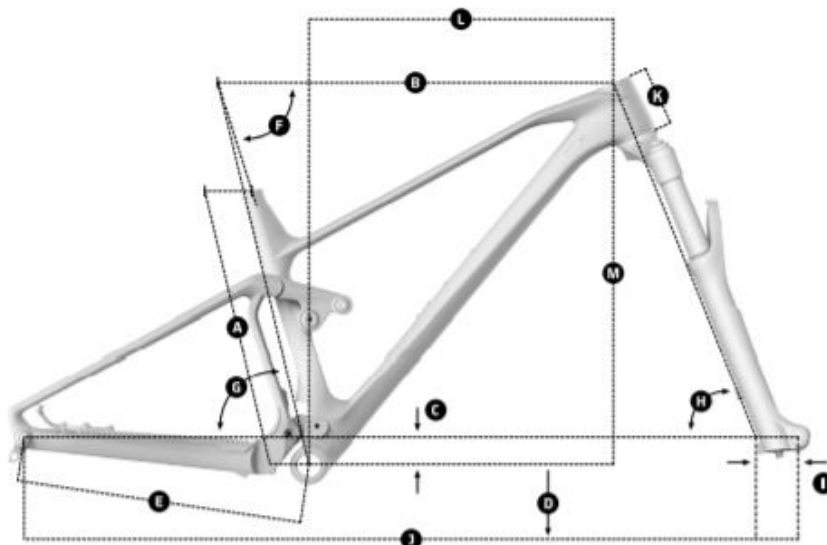
Light compression, medium rebound, Lockout 430, 1 Token

prevodník

34T, steel, X-Sync 2

pätka k preházovače

Sram UDH

Geometria**GEOMETRY**

Size	S	M	L	XL
A Seat Tube Length	390 mm	420 mm	470 mm	510 mm
B Top Tube Length	580 mm	600 mm	625 mm	650 mm
C Bottom Bracket Drop	-40 mm	-40 mm	-40 mm	-40 mm
D Bottom Bracket Height	325 mm	325 mm	325 mm	325 mm
E Chainstay Legth	432 mm	432 mm	432 mm	432 mm
F Seat Tube Angle, Actual	72°	72°	72°	72°
G Seat Tube Angle, Effective	76.5°	76.5°	76.5°	76.5°
H Head Tube Angle	68°	68°	68°	68°
I Fork Offset	44 mm	44 mm	44 mm	44 mm
J Wheelbase	1132 mm	1153 mm	1177 mm	1203 mm
K Head Tube Length	85 mm	90 mm	100 mm	115 mm
L Reach	440 mm	460 mm	480 mm	500 mm
M Stack	570 mm	575 mm	584 mm	598 mm